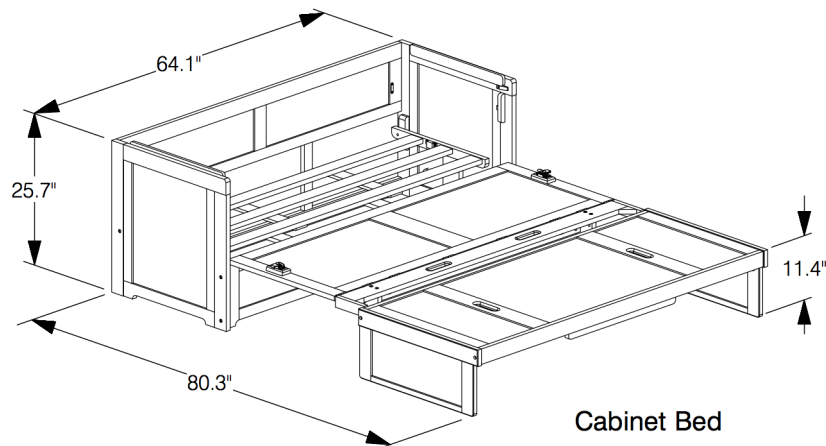


Cabinet



Cabinet Bed

Murphy Cube 2 Cabinet Bed

	Box H	Box W	Box L	Cubes	Net Wt.	Gr. Wt.
MUR-CUB2-QEN-	245mm	730mm	1685mm	0.301m3	52.0Kg	58.0Kg
	9.6"	28.7"	66.3"	10.64cuft	114.6lb	127.9lb

Assembled Product and Carton Dimensions*

**Please Note The Above Weights and Measures may be subject to change without notice.*